

STAR MOVE LIFT BASKETS - SS 304

Installation manual

Please read the manual carefully before using the product and keep it properly

Customer information

1. Inform the contents of the warning manual: YES NO

2. Inform the contents of the manual: YES NO

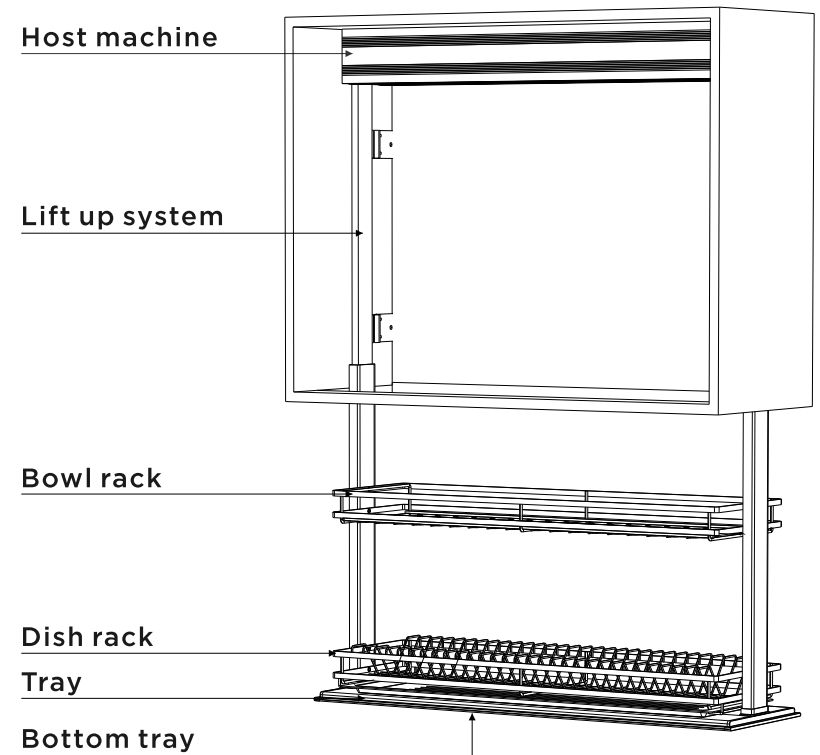
3. Demonstrate the use of operational functions: YES NO

4. Confirm the product use well: YES NO

Signature: _____ Year _____ Month _____ Day _____

Buyer signature	Buy date	Product model
Mobile phone	Address	

Star move lift up basket

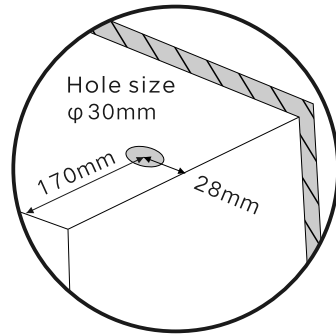
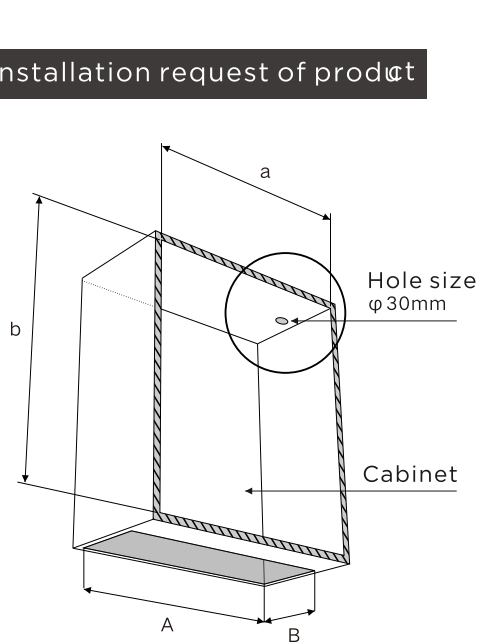


Lift baskets	Power adapter accessory bag	Bowl rack	Dish rack	Tray	Installation manual
1 set	1 set	1 pcs	1 pcs	1 pcs	1 pcs

Details of accessories	Guide rail set screw M4*16	Basket frame fixing screw M4*8	Electromechanical box screws 304stainless steel M4*6
	15 pcs	2 pcs	2 pcs

Star move lift up basket installation procedure diagram

Installation request of product



1. First check whether the cabinet is standard, the specification size can be referred to the table below (unit: mm)

2. Review the cabinet top right inner corner opening 30mm

Requirements:
The hole is 28mm away from the right panel
170mm from the back panel

3D cabinet

Cabinet size	Net size	Bottom panel hole net size
		Machine (A*B)
600×700	564×664	564×256
700×700	664×664	664×256
800×700	764×664	764×256
900×700	864×664	864×256

Requirement: panel B hole size at least 256mm

Maintenance record

Date	Fault status	Solution	Signature

After-sales service

Star move lift up basket	Shelf	2 years
	Other accessories	1 years

During the warranty period, repairs must be made as a charge if one of the following occurs:

- 1.This guarantee and valid proof of purchase cannot be provided.
2. Beyond the warranty period. (calculated from the date the purchase certificate is issued).
3. Errors in use. (Failure damage caused by improper power access, self-disassembly and reconstruction, not using original parts, not using according to instructions, not installing according to regulations, and using in industrial or commercial scope).
4. Failure or damage caused by transportation, moving and falling after purchase.
5. Failure or damage caused by other unavoidable external factors (such as earthquake, natural disaster, abnormal voltage, use of specified external power supply, frequency and other).

Maintenance address:

Maintenance phone:

Maintenance fax:

The product is installed and running well:

YES NO

Installation signature:

Year Month Day

Installation step

- 1.Open the package,and take out the power adapter(inside basket)

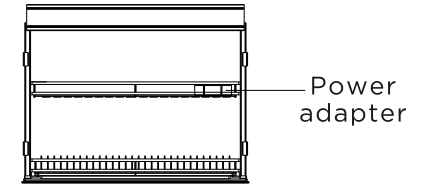


Figure 1

- 2.Install the lift up basket in the cabinet, put on the hand up,and then let the top cabinet close to the behind,and the power line use in the right hole

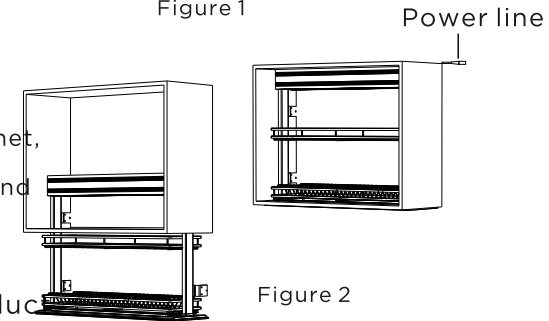


Figure 2

Tips:
Please be care to place the product to the cabinets in case of scratches

- 3.Left/right slide install in left/right panel, and lock 3pcs screws.

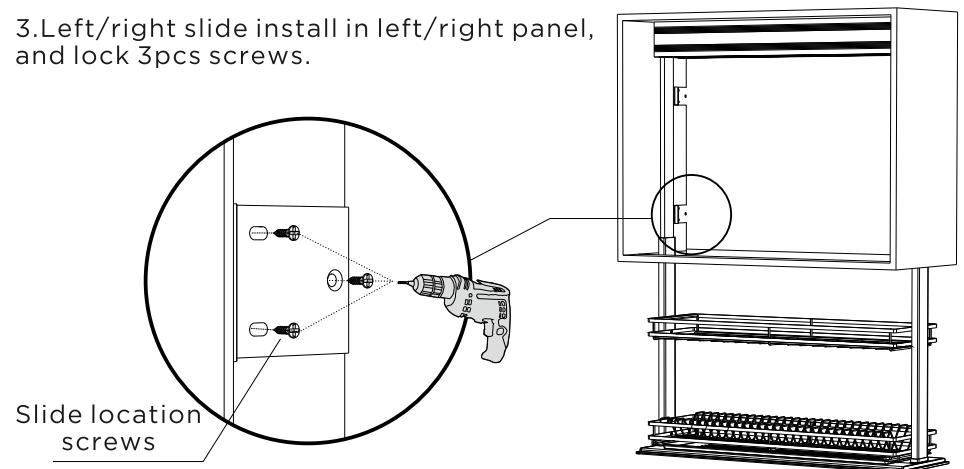


Figure 3

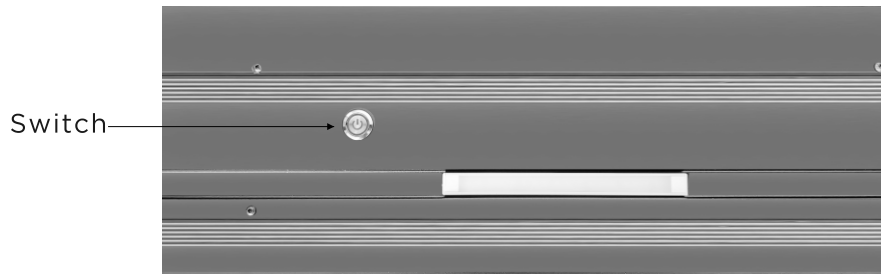


Figure 4-1

4. Make the power line connect the power adapter, and then connect the power socket, open the bottom power switch (4-1) Touch the bottom static interaction line (keep 0.3 second) Let the lift up basket decline (550+-30mm)



Figure 4-2

5. After installing, the basket have to take out the crash pads

Tips:

When the product is powered on for the first time, it is recommended that the load should not exceed 3kg, which will make the product lifting smoother.

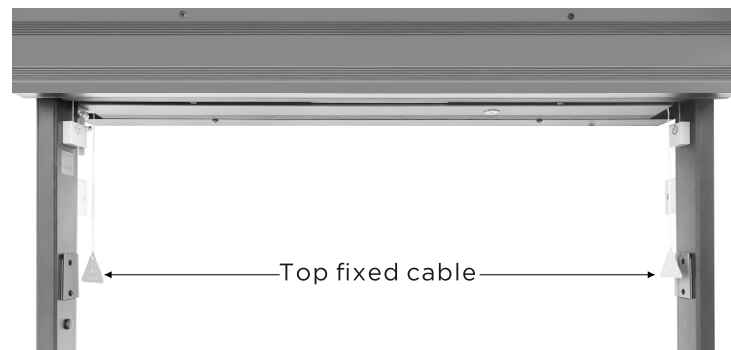


Figure 5

Specification

Model	401361、401362、401363、401364
Power	Input110-240V 50HZ outputDC 24V
Load-bearing	30kg
Lift time	12second(about)
Up time	10second(about)
lift up range	0-580mm

The corresponding measures when the fault is displayed

Status	Fault status	Method
No running	Power not connect	Connect power
Can't lift	Over load-bearing	Reduce the things
Can't up	Clamp	Clean the clamp

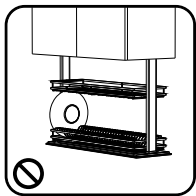
Warning manual



In the process of lifting, please do not take or place items to avoid injury

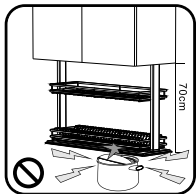


Do not exert excessive force on the basket body, which is easy to cause damage and injury



Do not expose the placement or unstable placement, will become the cause of failure

The diameter of the dishes and bowls cant be over 9 inch



Do not place items in the descending range of 70cm to the table surface, otherwise there will be a risk of damage to the items



There should be no socket and switch on the wall where the lift is installed. In case of collision when the lift goes down

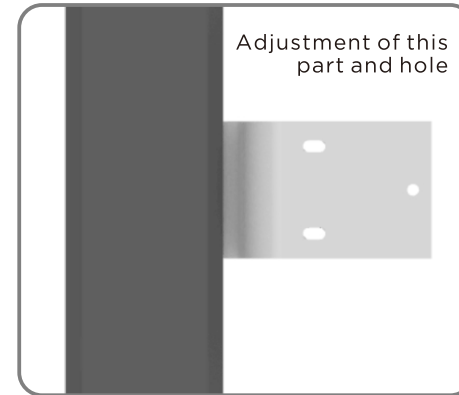


Figure 6-1

6.Touch the static interaction line, let the basket running,check whether balance both bottom panel and cabinet

Adjust the balance by intall the accessory(6-1)
Adjust the sealing degree by the screw(6-2)

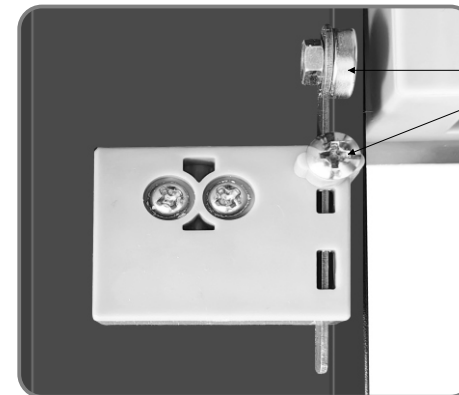


Figure 6-2

Lift up adjustment and top screws (PS:lock in the screws)

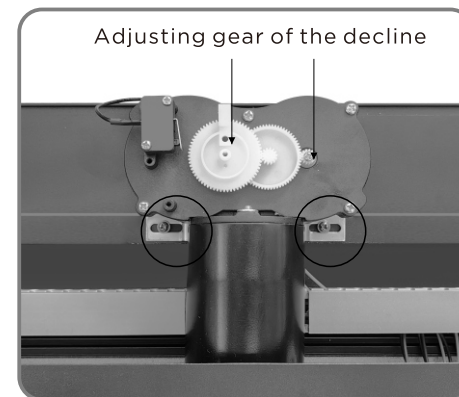


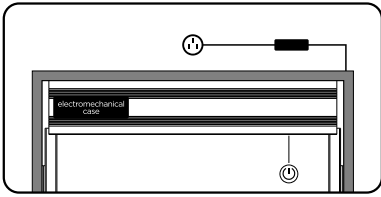
Figure 7

7.Touch the static interaction line, let the basket decline to the height (550+-30mm),check the decline location whether satisfied Inside adjusting gear could change the height of the decline

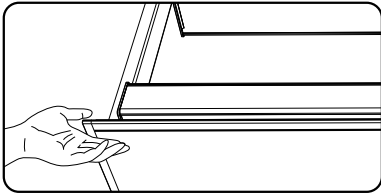
8.If the cabinet bottom plate is tilted or the product is tilted left or right, this position can be adjusted. Fine adjustment left or right can make the product parallel to the bottom plate. (Figure 7)

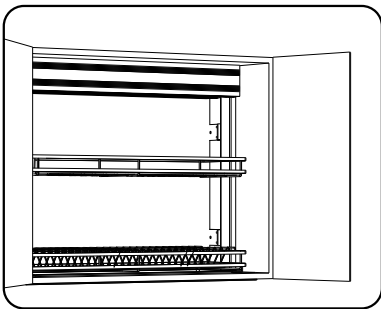
9.Finished installation,touch the switch,check the running whether smooth


Operating manual


1. 

A: let the basket power adapter connect the power socket

B: make the bottom panel button to lighting (means with electric)
2. 


Touch the electrostatic sensing bar on the aluminum alloy basePlate with your hand (hold for 0.3 seconds Then let go), lift pull basket to drop to the preset position
3. 


It can also follow the touch to control the fall, stop and go up. Lifting pull basket can open the basket door, convenient to take and put the items placed in the internal space
4. 

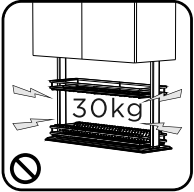
If the drop range of the basket touches the item, the intelligent anti-obstacle error protection function starts the automatic rebound (when touching soft, light, small and other items, bad induction will also occur).
5. 

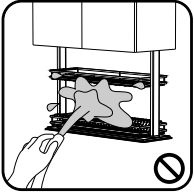
When cleaning: please press the red power switch on the panel of the mechanical and electrical box until the light is off (indicating power failure). To avoid accidental operation, after cleaning, be sure to press the red power switch to light up (indicating power on) before normal operation.

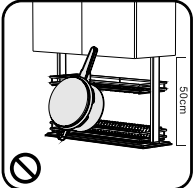
Warning manual

- 

It is absolutely not allowed to disassemble, repair or transform without authorization.
- 

Must be used alone (110-240V/50Hz) power socket k has manufacturer , Non-professionals should not open the circuit board box without permission.
- 

Do not put more than 30kg of the specified weight. Otherwise there is a possibility of machine failure or Risk of falling.
- 

Don't splash up. There is a risk of short circuit or failure. Do not place items with water, kitchen utensils must be washed and dried before being put in. Otherwise, there will be water dripping and it may not work.
- 

Do not place items beyond the height limit sign on the guide rail. Be sure to fasten the door of the basket before lifting it.